

4

3

2

1

D

D

C

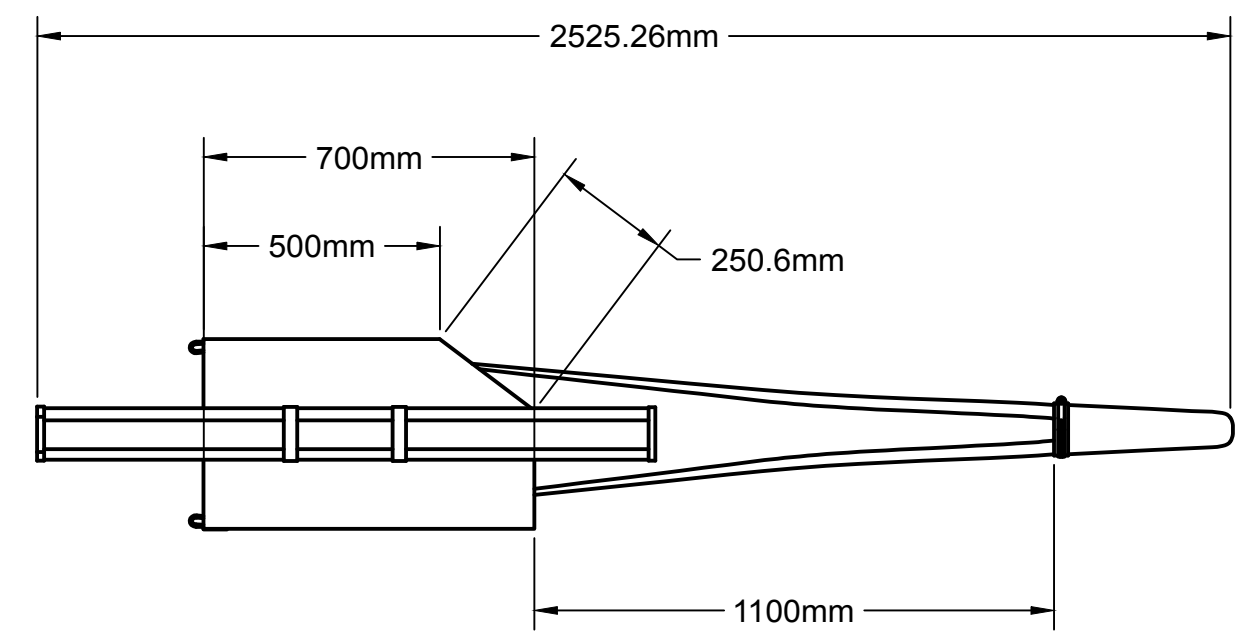
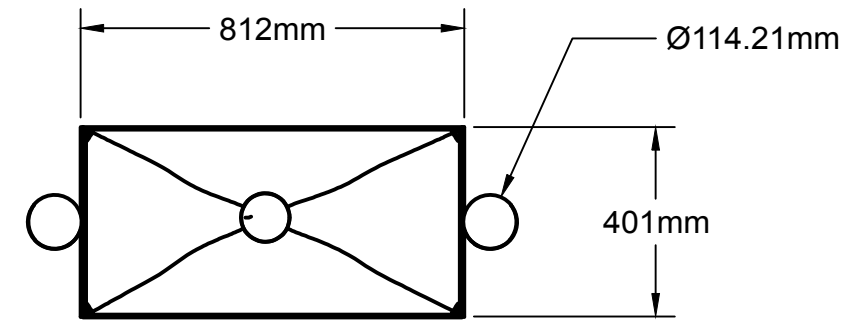
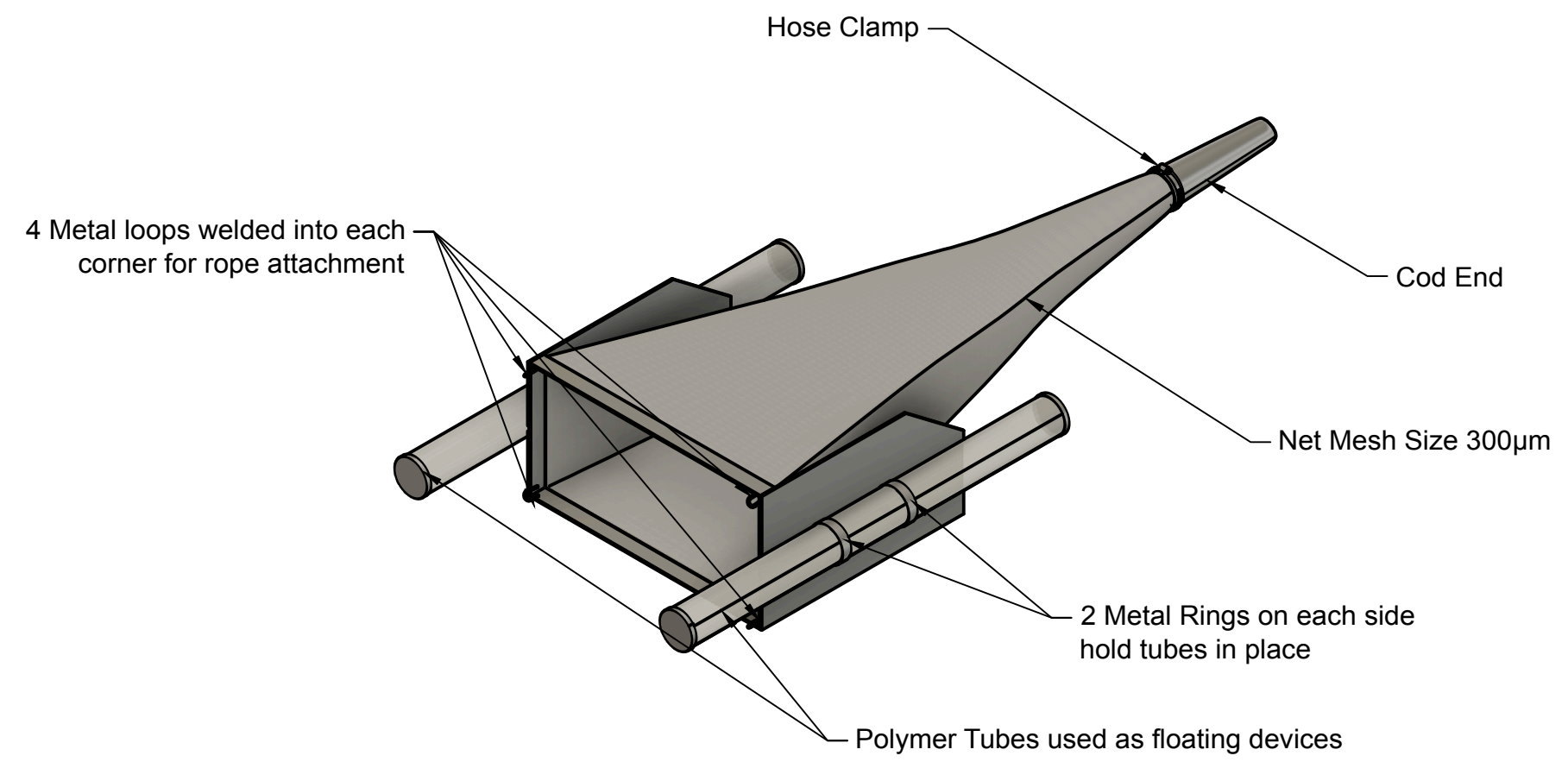
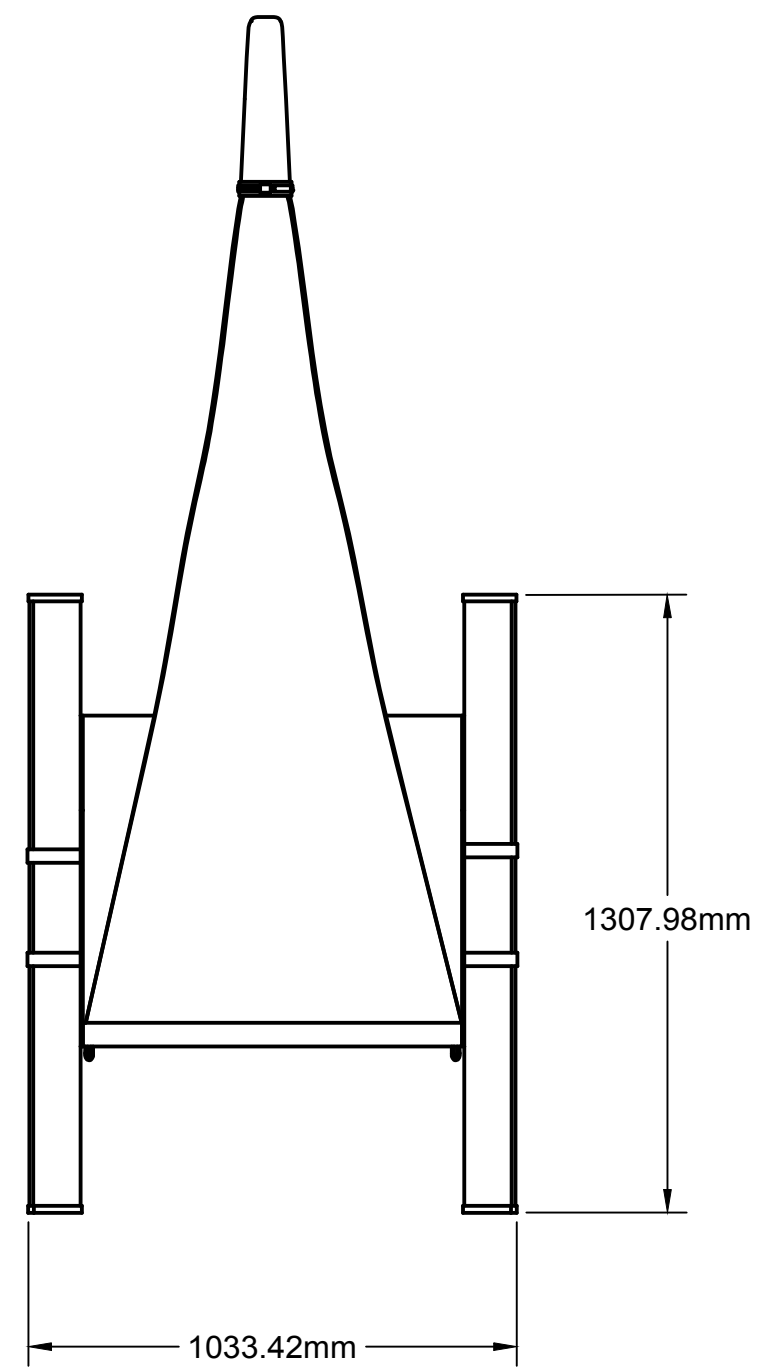
C

B

B

A

A



PROJECT  
**TestingOurWaters.Net**  
 TITLE  
**Disalvo Neuston Net**

APPROVED	SIZE	CODE	DWG NO	REV
CHECKED	C			
DRAWN Barent Roth Aishwarya Janwadkar	SCALE 1:16	WEIGHT	SHEET 1/1	

4

3

2

1

A

A